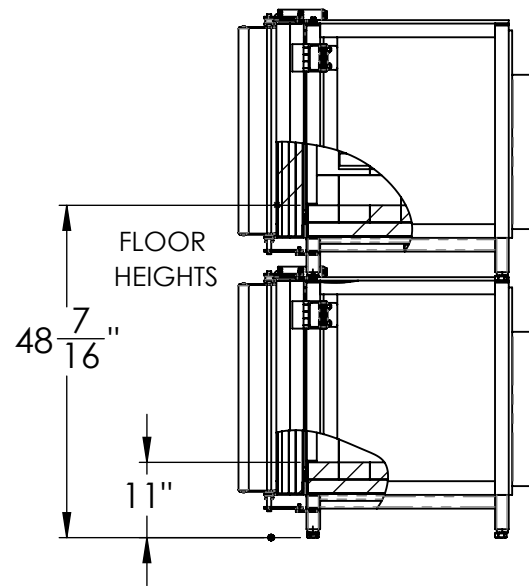
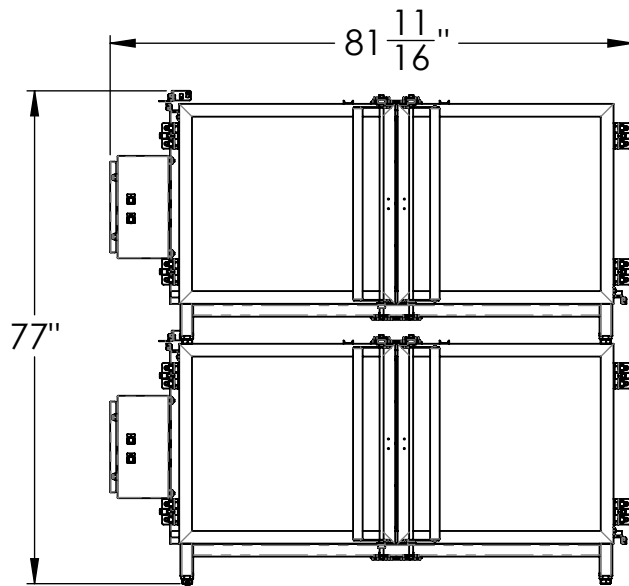
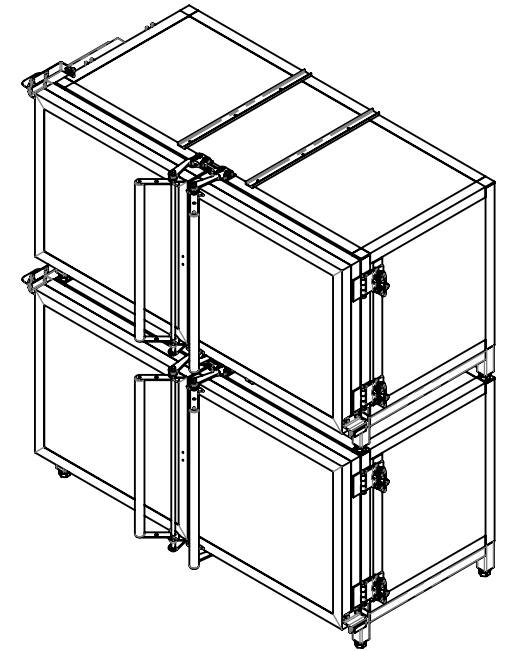
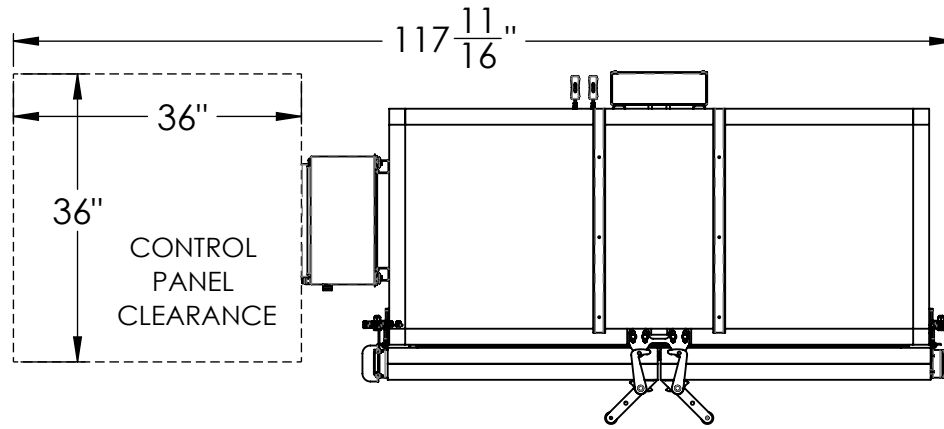


INTERIOR DIMENSIONS  
 58" WIDTH  
 24" DEPTH  
 22.5" HEIGHT


NOTE: DUE TO OUR CONTINUAL IMPROVEMENT DESIGN APPROACH EQUIPMENT SPECS SUBJECT TO CHANGE WITHOUT NOTICE

		4/22/2025	DLB
	SHEET 1 OF 3	LAST SAVED	DRAWN BY
<b>PROPRIETARY STATEMENT</b>	WET DOG GLASS LLC 938 REYNOLDS PL. GREENSBORO, NC 27403 BILLING: P.O. BOX 4166 GREENSBORO, NC 27404 Ph. 910-428-4111		
THIS DESIGN IS COPYRIGHT PROTECTED. ANY UNAUTHORIZED FABRICATION AND SALE OF THIS PRODUCT OR ITS DESIGN IS STRICTLY PROHIBITED, AND VIOLATORS WILL BE PROSECUTED TO THE FULL EXTENT OF THE LAW.			

TITLE	AF 17.7
	TOLERANCES: FRACTIONS= 1/16", .X= .1, .XX= .03, .XXX= .005, ANGLES= 1DEG.
DWG	AF17.7 PURCHASE SPECS



INTERIOR DIMENSIONS  
 58" WIDTH  
 24" DEPTH  
 22.5" HEIGHT

		4/22/2025	DLB	T I T L E
	SHEET 2 OF 3	LAST SAVED	DRAWN BY	
<b>PROPRIETARY STATEMENT</b> THIS DESIGN IS COPYRIGHT PROTECTED. ANY UNAUTHORIZED FABRICATION AND SALE OF THIS PRODUCT OR ITS DESIGN IS STRICTLY PROHIBITED, AND VIOLATORS WILL BE PROSECUTED TO THE FULL EXTENT OF THE LAW.	WET DOG GLASS LLC 938 REYNOLDS PL. GREENSBORO, NC 27403	BILLING: P.O. BOX 4166 GREENSBORO, NC 27404 Ph. 910-428-4111		AF 17.7
				TOLERANCES: FRACTIONS= 1/16", .X= .1, .XX= .03, .XXX= .005, ANGLES= 1DEG.
				D W G AF17.7 PURCHASE SPECS

**Model:** AF17.7

**Capacity:** 17.7 cu.ft.

**Electrical Supply:** ~14.4 kW (Available for most voltages, please specify voltage and phase)

**Max Temperature:** 1050 F

**Equipment Weight:** 1100 lbs

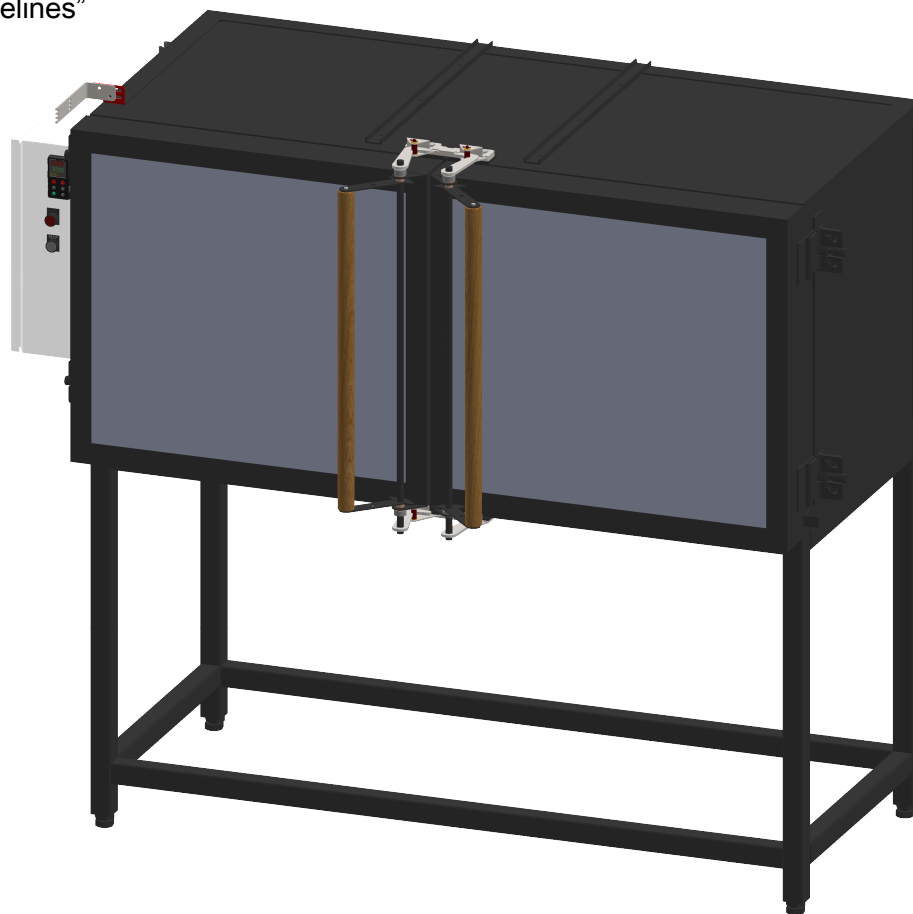
**Shipping Weight:** 1200 lbs


Ventilation: Reference "Wet Dog Glass Studio Equipment Installation Guidelines"

Electrical Installation: NEC compliant or jurisdiction

Plumbing Installation: NFPA compliant or jurisdiction

Complete assemblies shipped from Wet Dog Glass LLC are TÜV Certified and/or CE compliant as required by client. Other compliance marks are available; please contact Wet Dog Glass for details.



		4/22/2025	DLB	T I T L E
	SHEET 3 OF 3	LAST SAVED	DRAWN BY	
NOTE: DUE TO OUR CONTINUAL IMPROVEMENT DESIGN APPROACH EQUIPMENT SPECS SUBJECT TO CHANGE WITHOUT NOTICE	<b>PROPRIETARY STATEMENT</b> THIS DESIGN IS COPYRIGHT PROTECTED. ANY UNAUTHORIZED FABRICATION AND SALE OF THIS PRODUCT OR ITS DESIGN IS STRICTLY PROHIBITED, AND VIOLATORS WILL BE PROSECUTED TO THE FULL EXTENT OF THE LAW.	WET DOG GLASS LLC 938 REYNOLDS PL. GREENSBORO, NC 27403	 BILLING: P.O. BOX 4166 GREENSBORO, NC 27404 Ph. 910-428-4111	AF 17.7
				TOLERANCES: FRACTIONS= 1/16", .X= .1, .XX= .03, .XXX= .005, ANGLES= 1DEG.
				D W G
				AF17.7 PURCHASE SPECS