

Junction Box Access

Interior Dimensions
 35-1/2" WIDTH
 27" HEIGHT
 29" DEPTH

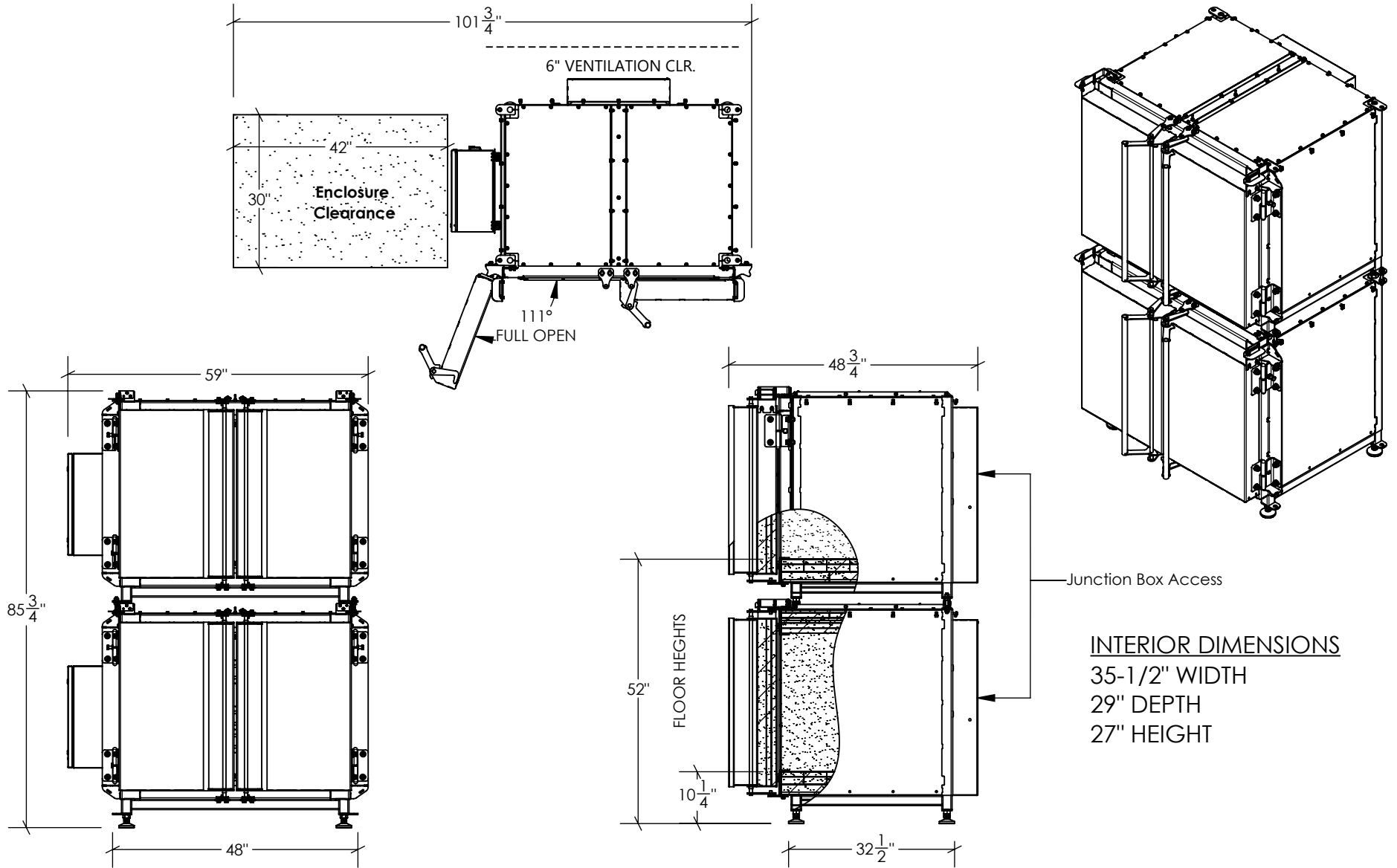
LH CONTROL PANEL PLACEMENT SHOWN
 RH AND REMOTE MOUNT AVAILABLE

NOTE: DUE TO OUR CONTINUAL IMPROVEMENT DESIGN APPROACH
 EQUIPMENT SPECS SUBJECT TO CHANGE WITHOUT NOTICE

		3/7/2025	DLB
	SHEET 1 OF 3	LAST SAVED	DRAWN BY
PROPRIETARY STATEMENT THIS DESIGN IS COPYRIGHT PROTECTED. ANY UNAUTHORIZED FABRICATION AND SALE OF THIS PRODUCT OR ITS DESIGN IS STRICTLY PROHIBITED, AND VIOLATORS WILL BE PROSECUTED TO THE FULL EXTENT OF THE LAW.		WET DOG GLASS LLC 938 REYNOLDS PL. GREENSBORO, NC 27403 BILLING: P.O. BOX 4166 GREENSBORO, NC 27404 Ph. 910-428-4111	



T I T L E	TOLERANCES: FRACTIONS= ± 1/16", .X= ±.1, .XX= ±.03, .XXX= ±.005, ANGLES= ± 1DEG.
D W G	AF16.1 PURCHASE SPECS



LH CONTROL PANEL PLACEMENT SHOWN
RH AND REMOTE MOUNT AVAILABLE

NOTE: DUE TO OUR CONTINUAL IMPROVEMENT DESIGN APPROACH
EQUIPMENT SPECS SUBJECT TO CHANGE WITHOUT NOTICE

		3/7/2025	DLB
		LAST SAVED	DRAWN BY
PROPRIETARY STATEMENT THIS DESIGN IS COPYRIGHT PROTECTED. ANY UNAUTHORIZED FABRICATION AND SALE OF THIS PRODUCT OR ITS DESIGN IS STRICTLY PROHIBITED, AND VIOLATORS WILL BE PROSECUTED TO THE FULL EXTENT OF THE LAW.		WET DOG GLASS LLC 938 REYNOLDS PL. GREENSBORO, NC 27403 BILLING: P.O. BOX 4166 GREENSBORO, NC 27404 Ph. 910-428-4111	



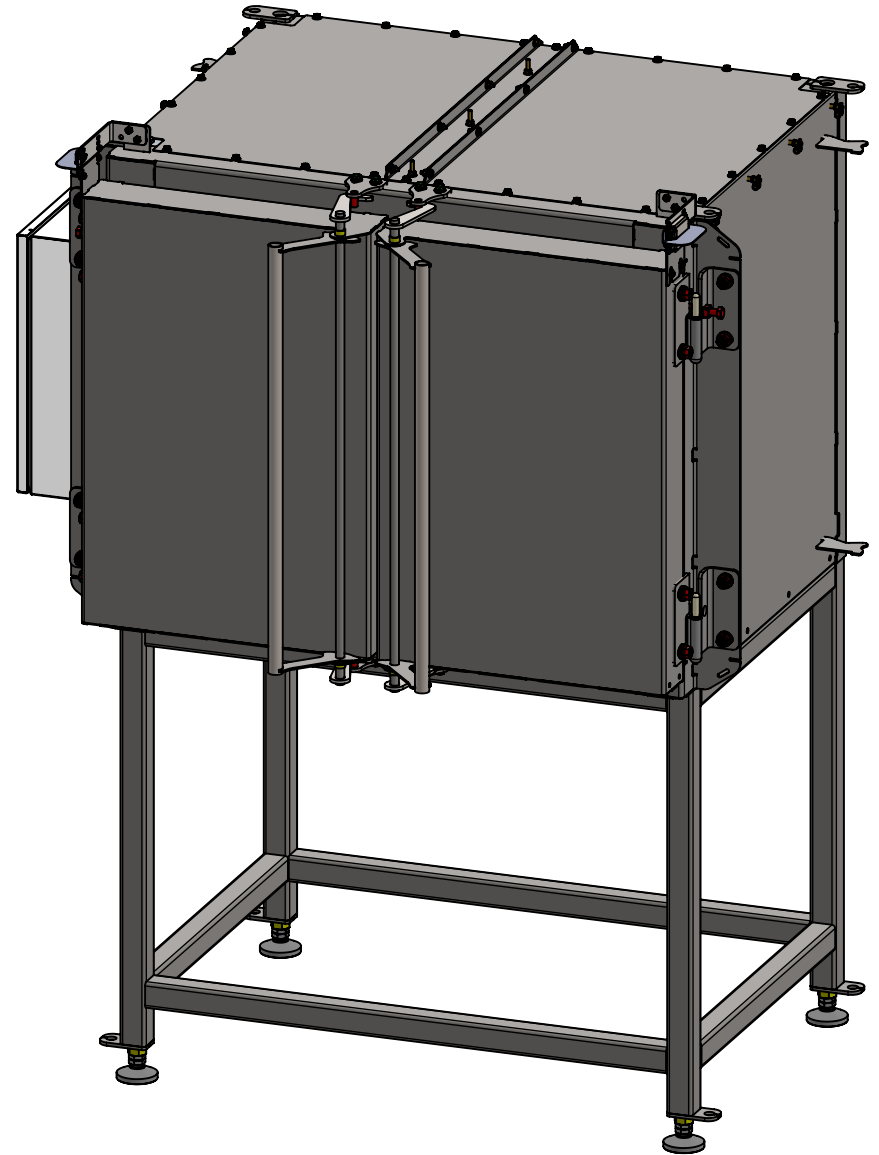
T I T L E	
D W G	AF16.1 PURCHASE SPECS


TOLERANCES: FRACTIONS= ± 1/16", .X= ±.1, .XX= ±.03, .XXX= ±.005, ANGLES= ± 1DEG.

Model: AF16.1
 Capacity: 16.1 cu.ft.
 Electrical Supply: ~10.8 kW (Available for most voltages,
 please specify voltage and phase)
 Max Temperature: 1050 F
 Equipment Weight: 1300 lbs
 Shipping Weight: 1400lbs

Ventilation: Reference "Wet Dog Glass Studio Equipment
 Installation Guidelines"
 Electrical Installation: NEC compliant or jurisdiction
 Plumbing Installation: NFPA compliant or jurisdiction

Complete assemblies shipped from Wet Dog Glass LLC
 are TÜV Certified and/or CE compliant as required by
 client. Other compliance marks are available; please
 contact Wet Dog Glass for details.



		3/7/2025	DLB	T I T L E TECHNICAL SPECS AF16.1 SINGLE
	SHEET 3 OF 3	LAST SAVED	DRAWN BY	
PROPRIETARY STATEMENT THIS DESIGN IS COPYRIGHT PROTECTED. ANY UNAUTHORIZED FABRICATION AND SALE OF THIS PRODUCT OR ITS DESIGN IS STRICTLY PROHIBITED, AND VIOLATORS WILL BE PROSECUTED TO THE FULL EXTENT OF THE LAW.	WET DOG GLASS LLC 938 REYNOLDS PL. GREENSBORO, NC 27403	 WET DOG GLASS	TOLERANCES: FRACTIONS= ± 1/16", .X= ±.1, .XX= ±.03, .XXX= ±.005, ANGLES= ± 1DEG.	
NOTE: DUE TO OUR CONTINUAL IMPROVEMENT DESIGN APPROACH EQUIPMENT SPECS SUBJECT TO CHANGE WITHOUT NOTICE	BILLING: P.O. BOX 4166 GREENSBORO, NC 27404 Ph. 910-428-4111		D W G AF16.1 PURCHASE SPECS	